

4

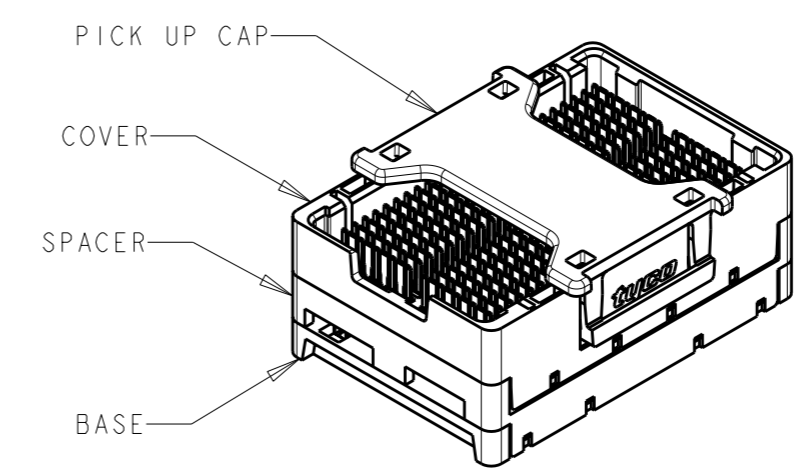
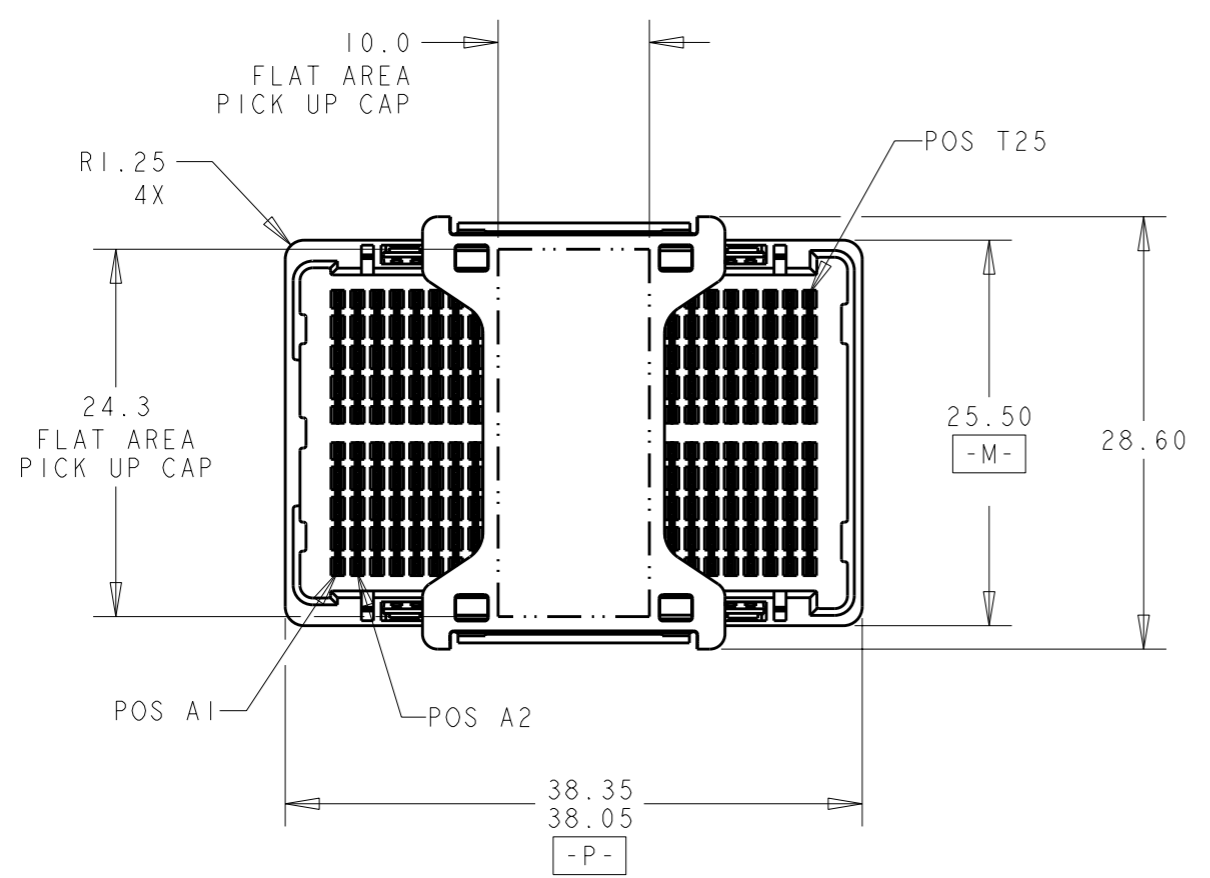
3

2

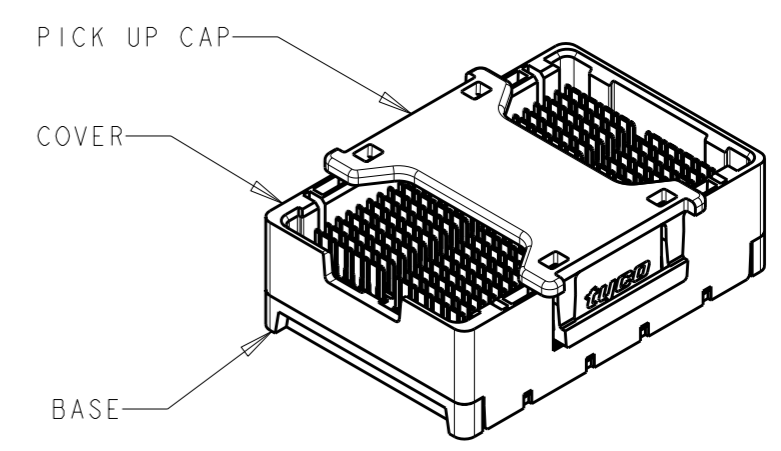
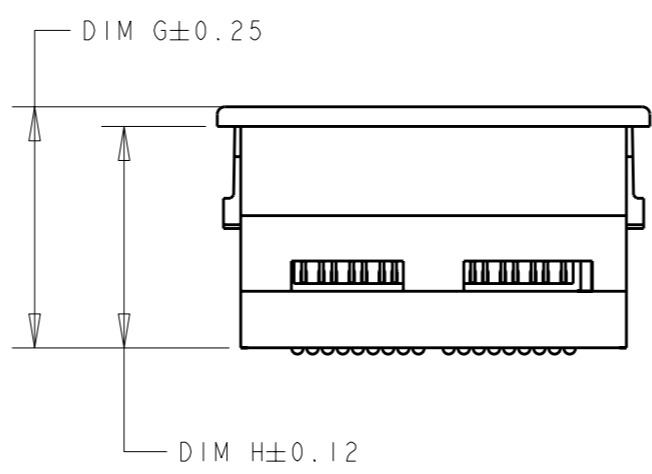
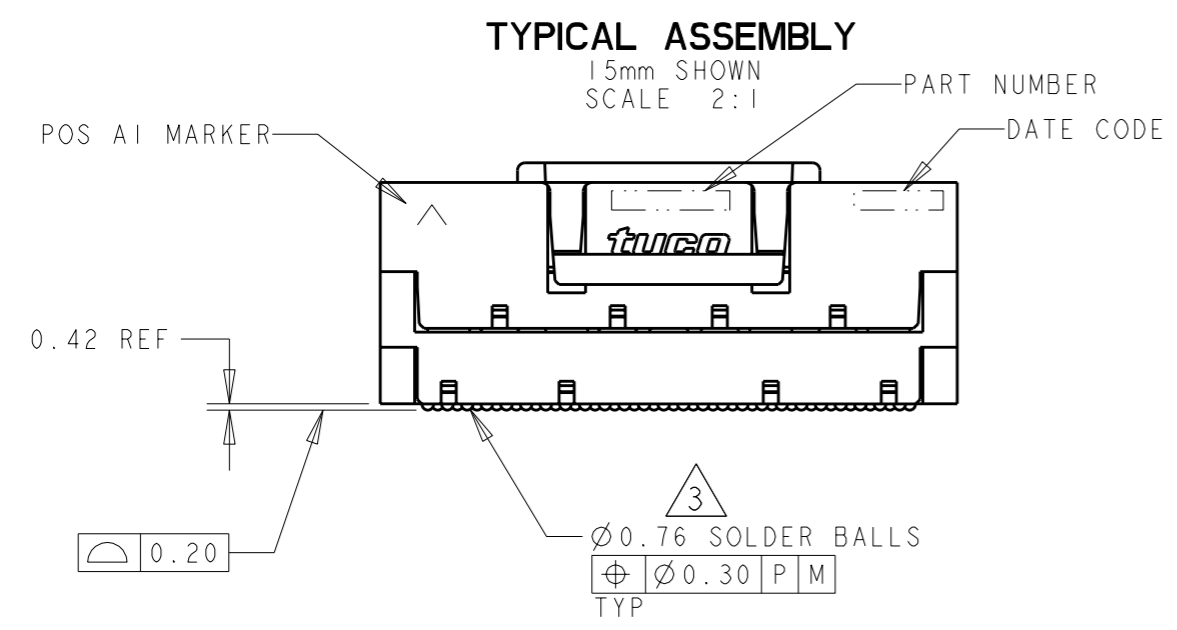
1

THIS DRAWING IS UNPUBLISHED. RELEASED FOR PUBLICATION 20
 © COPYRIGHT 20 BY TYCO ELECTRONICS CORPORATION. ALL RIGHTS RESERVED.

| LOC | DIST | REVISIONS | | | | |
|-----|------|-------------|-----------------------|-----------|------|----|
| P | LTR | DESCRIPTION | DATE | DWN | APVD | |
| GP | 00 | A4 | REV PER ECO-06-017839 | 27JUL2006 | BC | DD |
| | | A5 | REV PER ECO-07-026914 | 14NOV2007 | BC | DD |



ISOMETRIC VIEW
 TYPICAL CONFIGURATION FOR
 15mm, 20mm & 25mm ASSEMBLY
 SCALE 3:2



ISOMETRIC VIEW
 TYPICAL CONFIGURATION FOR
 10mm, 12mm, & 13mm ASSEMBLY
 SCALE 3:2

| | | | | | |
|---|--|---|--|--|--|
| <small>THIS DRAWING IS A CONTROLLED DOCUMENT FOR TYCO ELECTRONICS CORPORATION IT IS SUBJECT TO CHANGE AND THE CONTROLLING ENGINEERING ORGANIZATION SHOULD BE CONTACTED FOR THE LATEST REVISION.</small> | | DWN P BRANDBERG 17DEC04 CHK D WERTZ 05JAN05 APVD D WERTZ 05JAN05 | | Tyco Electronics Harrisburg, PA 17105-3608 | |
| DIMENSIONS: mm | | TOLERANCES UNLESS OTHERWISE SPECIFIED: 0 PLC ±- 1 PLC ±0.3 2 PLC ±0.10 3 PLC ±0.050 4 PLC ±- ANGLES ±2° | | NAME STEP-Z, PLUG ASSEMBLY, 200 SIGNAL POSITION | |
| | | MATERIAL | | PRODUCT SPEC 108-2143 APPLICATION SPEC 114-13101 WEIGHT - | |
| FINISH | | CUSTOMER DRAWING | | SIZE A3 CAGE CODE 00779 DRAWING NO C-1761614 RESTRICTED TO - | |
| | | SCALE - SHEET 1 OF 5 | | REV A5 | |


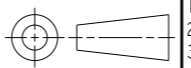
THIS DRAWING IS UNPUBLISHED. RELEASED FOR PUBLICATION 20
 © COPYRIGHT 20 BY TYCO ELECTRONICS CORPORATION. ALL RIGHTS RESERVED.

| LOC | DIST | REVISIONS | | | |
|-----|------|-------------|-------------|-----|------|
| P | LTR | DESCRIPTION | DATE | DWN | APVD |
| GP | 00 | - | SEE SHEET 1 | - | - |
| | | | | | |
| | | | | | |

- 1 MATERIAL:
 BASE, SPACER, COVER: THERMOPLASTIC
 PICK UP CAP: THERMOPLASTIC
 CONTACT: COPPER ALLOY
 SOLDER BALL: Sn/Pb FOR P/N 1761614-1 THRU 5-1761614-0
 Sn/Ag FOR P/N 5-1761614-1 THRU 9-1761614-9
- 2 FINISH:
 CONTACT: 0.00076 MIN GOLD OVER 0.00127 MIN NICKEL.
 (30μ" MIN GOLD OVER 50μ" MIN NICKEL)
- 3 SOLDER BALLS WILL NOT BE PERFECT
 SPHERICAL SHAPE DUE TO REFLOW ATTACHMENT.
- 4 CONTACTS IN ROWS A,C,E,G,J,K,M,P,R, AND T
 ARE SINGLE BEAM CONTACTS,
 TYPICALLY USED AS GROUND PINS.
 (NOTE: CONTACTS IN ROW J & K ARE TIED
 TOGETHER [COMMONED]).
- 5 CONTACTS IN ROWS B,D,F,H,L,N,Q, AND S
 ARE DUAL BEAM CONTACTS,
 TYPICALLY USED AS SIGNAL PINS.
- 6 SPECIFIED POSITIONAL TOLERANCE DEFINES PAD TO PAD
 LOCATION WITHIN LAND PATTERN. POSITIONAL TOLERANCE
 OF LAND PATTERN TO FUDICIAL MARKS OR PCB DATUMS
 SHALL BE DEFINED BY CUSTOMER. FOR RECOMMENDED
 PRODUCT APPLICATION AND PCB DESIGN DETAILS, SEE
 APPLICATION SPEC 114-13101.
- 7 SOLDER PADS UNUSED, MAY BE OMITTED.
- 8 REFERENCE BOARD PATTERN FOR DIMENSIONS
 AND DETAILS NOT SHOWN.

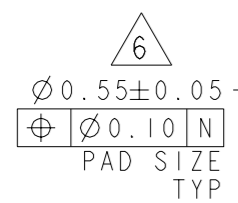
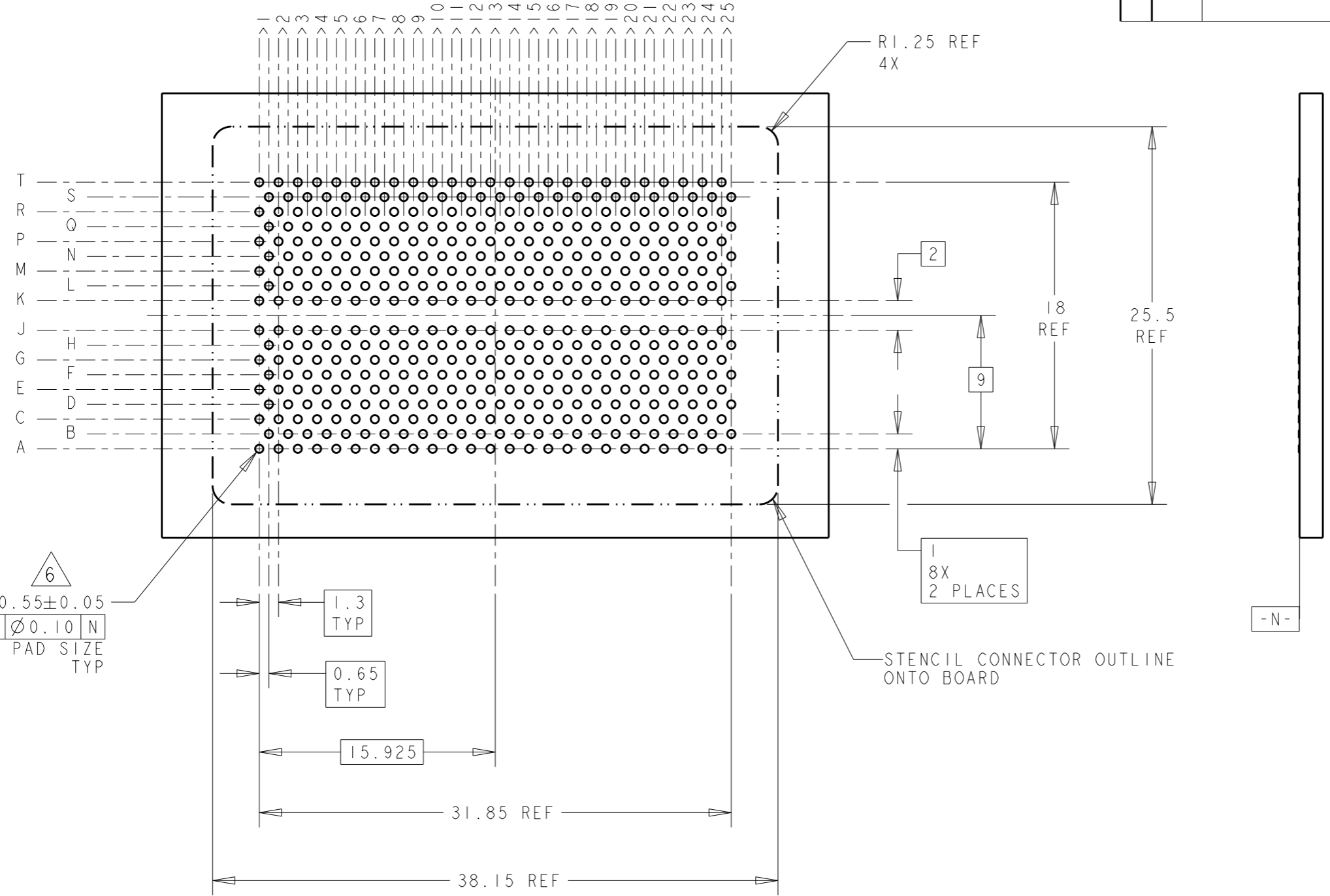
| DIM H | DIM G | LOAD STYLE | DESCRIPTION | PART NUMBER |
|-------|-------|----------------------------------|-------------|-------------|
| 11.65 | 12.95 | SELECT LOAD-112 POSN-SEE VIEW 35 | 12mm Sn/Ag | 8-1761614-5 |
| 12.65 | 13.95 | SELECT LOAD-104 POSN-SEE VIEW 31 | 13mm Sn/Ag | 8-1761614-3 |
| 19.65 | 20.95 | SELECT LOAD-104 POSN-SEE VIEW 31 | 20mm Sn/Ag | 8-1761614-2 |
| 9.65 | 10.95 | SELECT LOAD-104 POSN-SEE VIEW 31 | 10mm Sn/Ag | 8-1761614-1 |
| 24.65 | 25.95 | FULL LOAD-200 POSN | 25mm Sn/Ag | 7-1761614-5 |
| 19.65 | 20.95 | FULL LOAD-200 POSN | 20mm Sn/Ag | 7-1761614-0 |
| 14.65 | 15.95 | FULL LOAD-200 POSN | 15mm Sn/Ag | 6-1761614-5 |
| 12.65 | 13.95 | FULL LOAD-200 POSN | 13mm Sn/Ag | 6-1761614-3 |
| 11.65 | 12.95 | FULL LOAD-200 POSN | 12mm Sn/Ag | 6-1761614-2 |
| 9.65 | 10.95 | FULL LOAD-200 POSN | 10mm Sn/Ag | 6-1761614-0 |
| 9.65 | 10.95 | SELECT LOAD-120 POSN-SEE VIEW 34 | 10mm Sn/Pb | 3-1761614-4 |
| 12.65 | 13.95 | SELECT LOAD-104 POSN-SEE VIEW 31 | 13mm Sn/Pb | 3-1761614-3 |
| 19.65 | 20.95 | SELECT LOAD-104 POSN-SEE VIEW 31 | 20mm Sn/Pb | 3-1761614-2 |
| 9.65 | 10.95 | SELECT LOAD-104 POSN-SEE VIEW 31 | 10mm Sn/Pb | 3-1761614-1 |
| 24.65 | 25.95 | FULL LOAD-200 POSN | 25mm Sn/Pb | 2-1761614-5 |
| 19.65 | 20.95 | FULL LOAD-200 POSN | 20mm Sn/Pb | 2-1761614-0 |
| 14.65 | 15.95 | FULL LOAD-200 POSN | 15mm Sn/Pb | 1-1761614-5 |
| 12.65 | 13.95 | FULL LOAD-200 POSN | 13mm Sn/Pb | 1-1761614-3 |
| 11.65 | 12.95 | FULL LOAD-200 POSN | 12mm Sn/Pb | 1-1761614-2 |
| 9.65 | 10.95 | FULL LOAD-200 POSN | 10mm Sn/Pb | 1-1761614-0 |

THIS DRAWING IS A CONTROLLED DOCUMENT FOR TYCO ELECTRONICS CORPORATION
 IT IS SUBJECT TO CHANGE AND THE CONTROLLING ENGINEERING ORGANIZATION
 SHOULD BE CONTACTED FOR THE LATEST REVISION.

| | | | | |
|---|---|--|---|---------------------|
| DIMENSIONS: mm | TOLERANCES UNLESS OTHERWISE SPECIFIED: 0 PLC ±- 1 PLC ±0.3 2 PLC ±0.10 3 PLC ±0.050 4 PLC ±- ANGLES ±2° | DWN P BRANDBERG 17DEC04 CHK D WERTZ 05JAN05 APVD D WERTZ 05JAN05 |  Tyco Electronics Harrisburg, PA 17105-3608 | |
|  | | PRODUCT SPEC 108-2143 APPLICATION SPEC 114-13101 | NAME STEP-Z, PLUG ASSEMBLY, 200 SIGNAL POSITION | |
| MATERIAL - | FINISH - | WEIGHT - | SIZE A3 | CAGE CODE 00779 |
| CUSTOMER DRAWING | | | DRAWING NO C-1761614 | RESTRICTED TO - |
| | | | SCALE - | SHEET 2 OF 5 REV A5 |

THIS DRAWING IS UNPUBLISHED. RELEASED FOR PUBLICATION 20
 © COPYRIGHT 20 BY TYCO ELECTRONICS CORPORATION. ALL RIGHTS RESERVED.

| LOC | DIST | REVISIONS | | | | |
|-----|------|-------------|-------------|-----|------|--|
| P | LTR | DESCRIPTION | DATE | DWN | APVD | |
| GP | 00 | - | SEE SHEET 1 | - | - | |
| | | | | | | |
| | | | | | | |

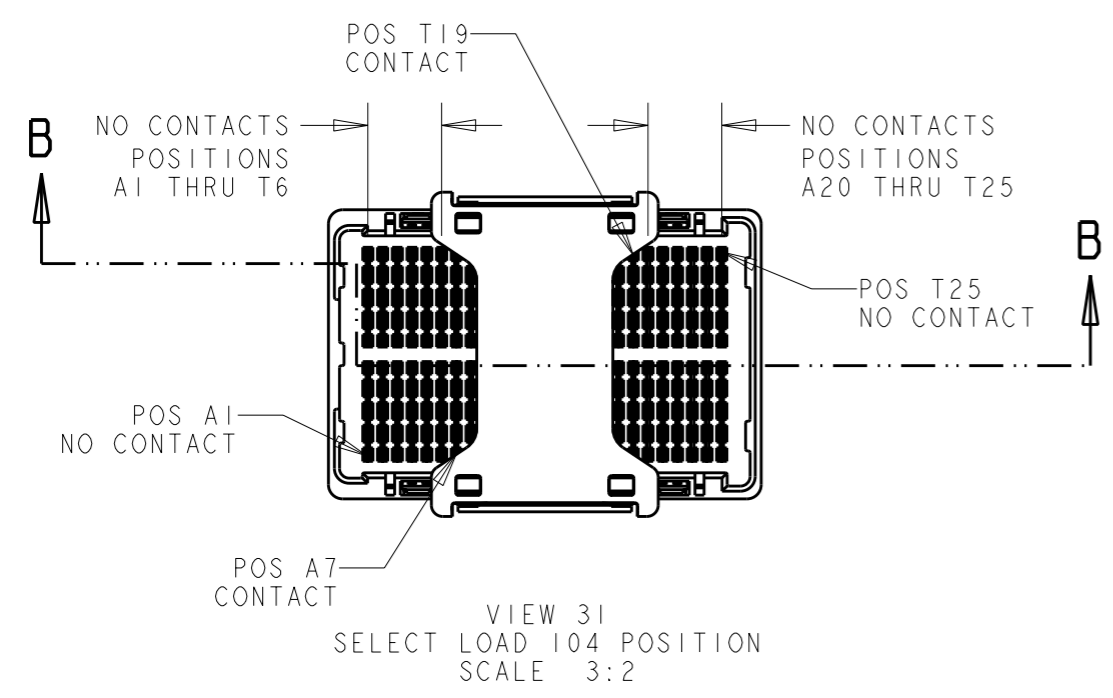


4 5 BOARD PATTERN
SCALE 3:1

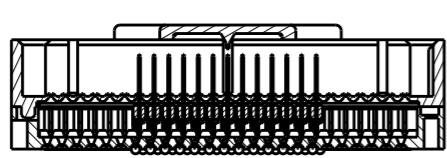
| | | | | | |
|---|--|---|--|--|--|
| <small>THIS DRAWING IS A CONTROLLED DOCUMENT FOR TYCO ELECTRONICS CORPORATION IT IS SUBJECT TO CHANGE AND THE CONTROLLING ENGINEERING ORGANIZATION SHOULD BE CONTACTED FOR THE LATEST REVISION.</small> | | DWN P BRANDBERG 17DEC04 CHK D WERTZ 05JAN05 APVD D WERTZ 05JAN05 | | Tyco Electronics Harrisburg, PA 17105-3608 | |
| DIMENSIONS: mm | | TOLERANCES UNLESS OTHERWISE SPECIFIED: 0 PLC ±- 1 PLC ±0.3 2 PLC ±0.10 3 PLC ±0.050 4 PLC ±- ANGLES ±2° | | NAME STEP-Z, PLUG ASSEMBLY, 200 SIGNAL POSITION | |
| | | PRODUCT SPEC 108-2143 | | SIZE CAGE CODE DRAWING NO RESTRICTED TO A3 00779 C-1761614 - | |
| MATERIAL - FINISH - | | APPLICATION SPEC 114-13101 | | WEIGHT - | |
| CUSTOMER DRAWING | | | | SCALE - SHEET 3 OF 5 REV A5 | |

THIS DRAWING IS UNPUBLISHED. RELEASED FOR PUBLICATION 20
 © COPYRIGHT 20 BY TYCO ELECTRONICS CORPORATION. ALL RIGHTS RESERVED.

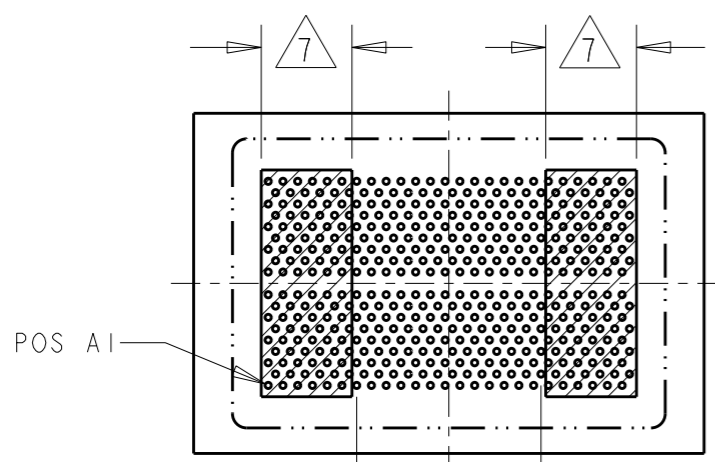
| LOC | DIST | REVISIONS | | | | |
|-----|------|-------------|-------------|-----|------|--|
| P | LTR | DESCRIPTION | DATE | DWN | APVD | |
| GP | 00 | - | SEE SHEET 1 | - | - | |



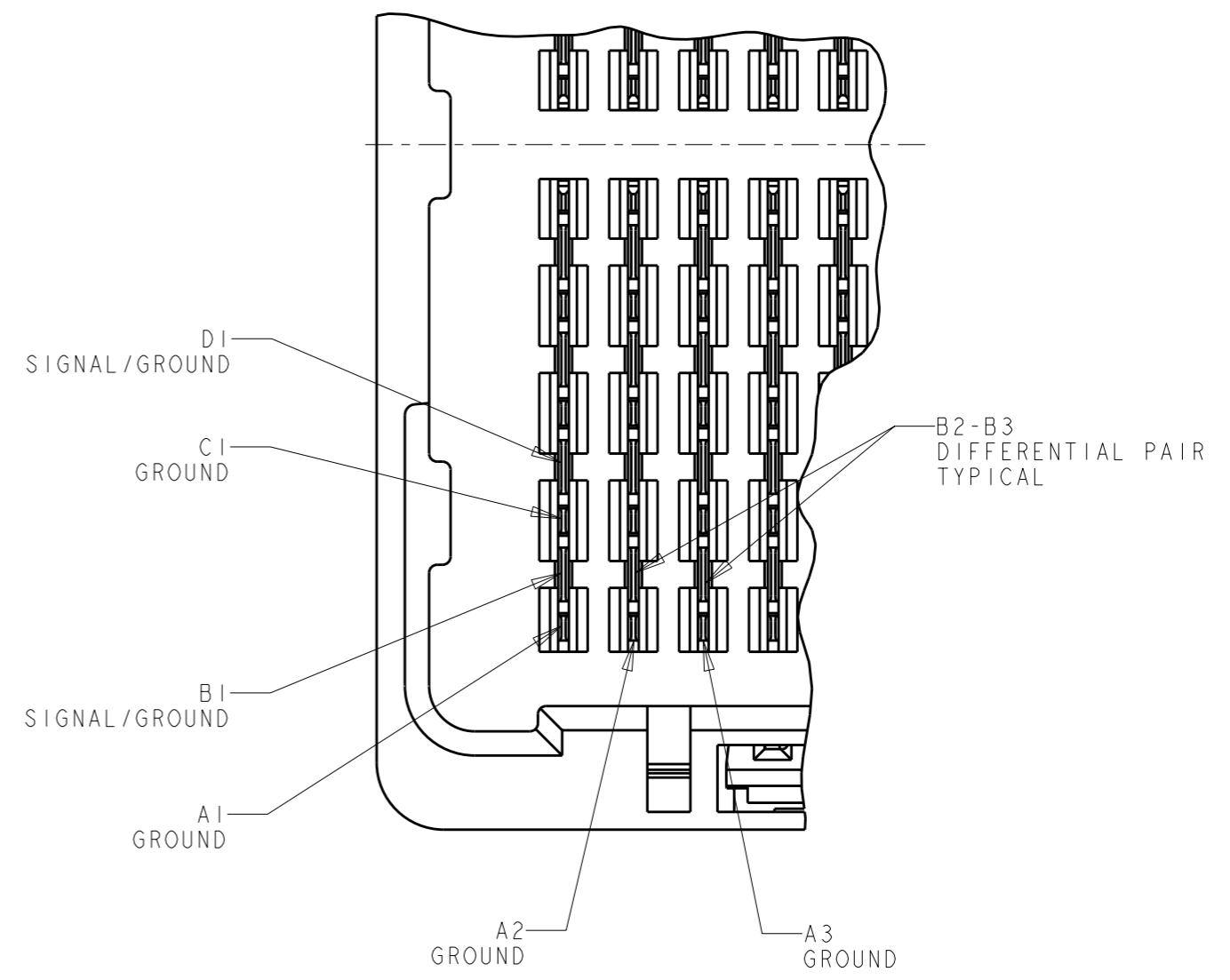
VIEW 31
 SELECT LOAD 104 POSITION
 SCALE 3:2



SECTION B-B



VIEW 31
 SELECT LOAD 104 POSITION
 BOARD PATTERN
 SCALE 3:2



PLUG INTERFACE
 SCALE 8:1

| | | | | | |
|---|--|---|--|---|--|
| <small>THIS DRAWING IS A CONTROLLED DOCUMENT FOR TYCO ELECTRONICS CORPORATION IT IS SUBJECT TO CHANGE AND THE CONTROLLING ENGINEERING ORGANIZATION SHOULD BE CONTACTED FOR THE LATEST REVISION.</small> | | DWN P BRANDBERG 17DEC04 CHK D WERTZ 05JAN05 APVD D WERTZ 05JAN05 | | Tyco Electronics Harrisburg, PA 17105-3608 | |
| DIMENSIONS: mm | | TOLERANCES UNLESS OTHERWISE SPECIFIED: 0 PLC ±- 1 PLC ±0.3 2 PLC ±0.10 3 PLC ±0.050 4 PLC ±- ANGLES ±2° | | NAME STEP-Z, PLUG ASSEMBLY, 200 SIGNAL POSITION | |
| | | MATERIAL - FINISH - | | PRODUCT SPEC 108-2143 APPLICATION SPEC 114-13101 WEIGHT - | |
| CUSTOMER DRAWING | | SIZE A3 CAGE CODE 00779 DRAWING NO C-1761614 | | RESTRICTED TO - | |
| | | SCALE - | | SHEET 4 OF 5 REV A5 | |

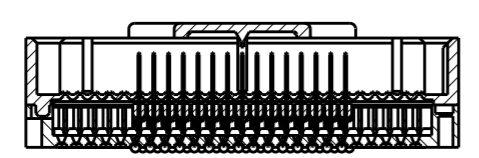
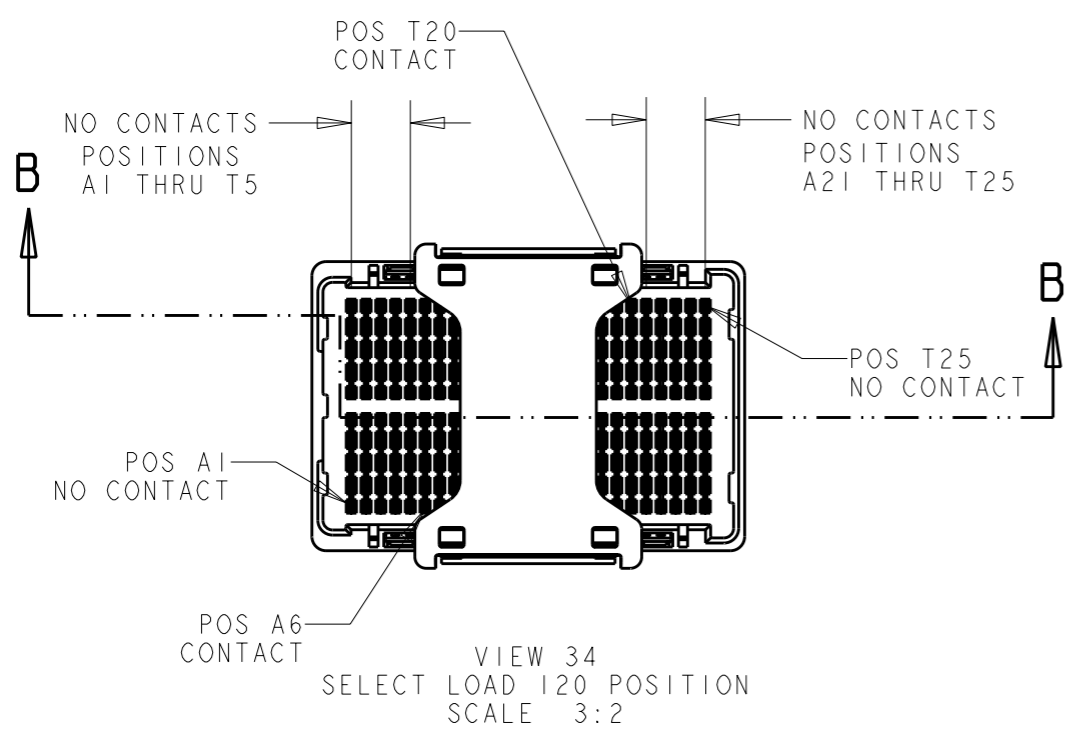
THIS DRAWING IS UNPUBLISHED. RELEASED FOR PUBLICATION 20

© COPYRIGHT 20 BY TYCO ELECTRONICS CORPORATION. ALL RIGHTS RESERVED.

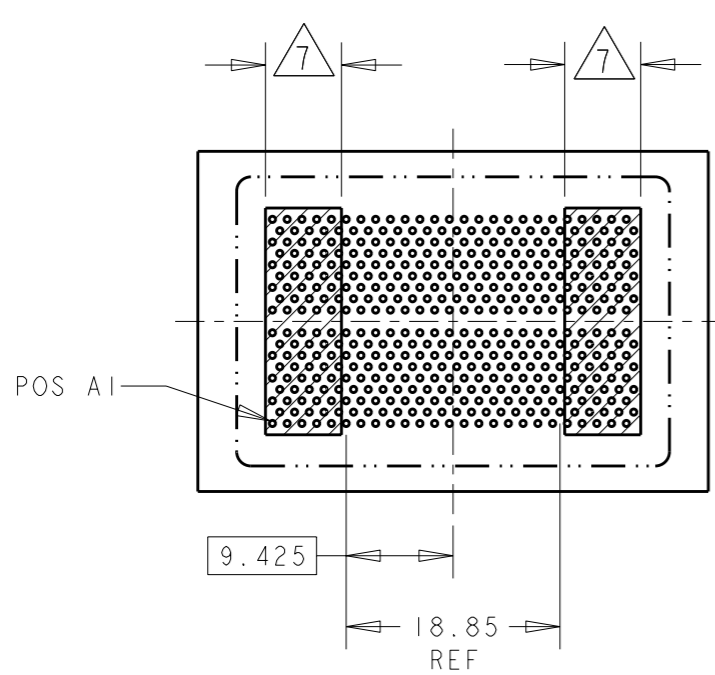
LOC GP DIST 00

REVISIONS

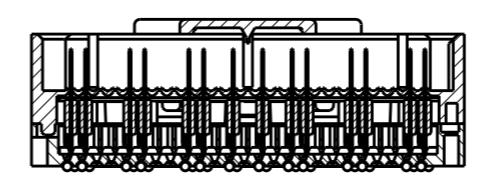
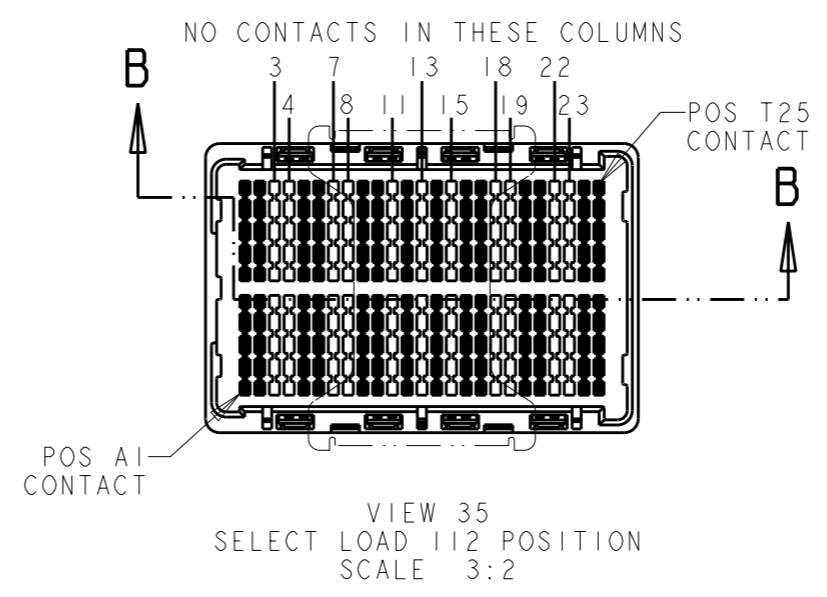
| P | LTR | DESCRIPTION | DATE | DWN | APVD |
|---|-----|-------------|------|-----|------|
| - | - | SEE SHEET 1 | - | - | - |



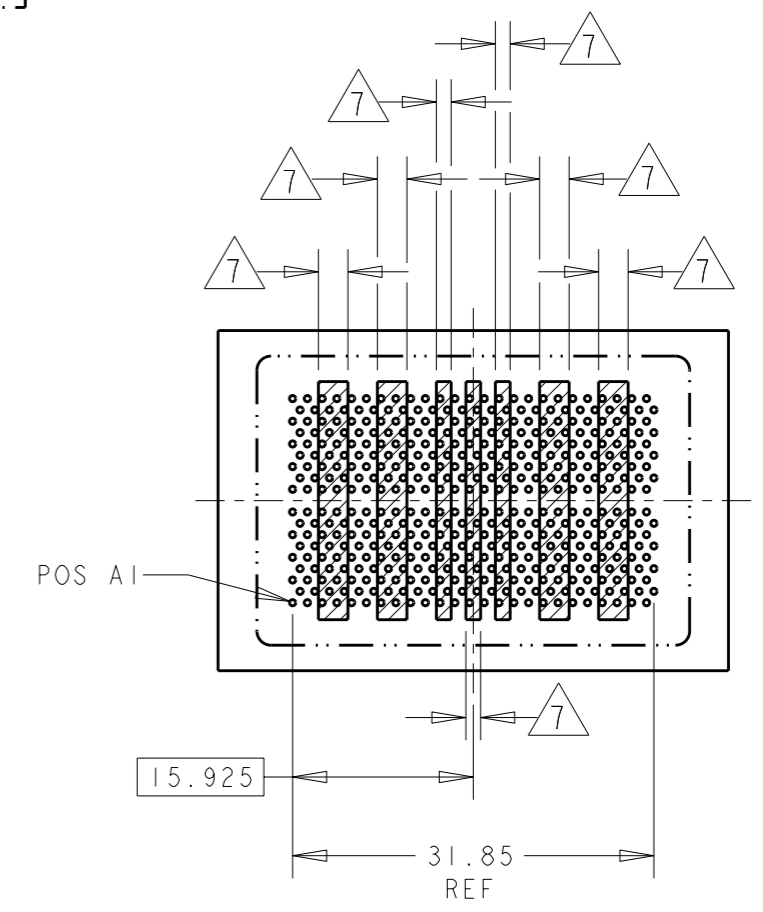
SECTION B-B



VIEW 34 SELECT LOAD 120 POSITION BOARD PATTERN SCALE 3:2



SECTION B-B



VIEW 35 SELECT LOAD 112 POSITION BOARD PATTERN SCALE 3:2

THIS DRAWING IS A CONTROLLED DOCUMENT FOR TYCO ELECTRONICS CORPORATION IT IS SUBJECT TO CHANGE AND THE CONTROLLING ENGINEERING ORGANIZATION SHOULD BE CONTACTED FOR THE LATEST REVISION.

| | | | |
|-------------------|--|--|--------|
| DIMENSIONS: mm | | TOLERANCES UNLESS OTHERWISE SPECIFIED: | |
| | | 0 PLC | ± |
| | | 1 PLC | ±0.3 |
| | | 2 PLC | ±0.10 |
| | | 3 PLC | ±0.050 |
| | | 4 PLC | ± |
| | | ANGLES | ±2° |
| MATERIAL - | | FINISH - | |

| | | |
|------------------|-------------|---------|
| DWN | P BRANDBERG | 17DEC04 |
| CHK | D WERTZ | 05JAN05 |
| APVD | D WERTZ | 05JAN05 |
| PRODUCT SPEC | 108-2143 | |
| APPLICATION SPEC | 114-13101 | |
| WEIGHT | - | |
| CUSTOMER DRAWING | | |

| | | | |
|---|-----------|---|---------------|
| Tyco Electronics Harrisburg, PA 17105-3608 | | NAME STEP-Z, PLUG ASSEMBLY, 200 SIGNAL POSITION | |
| SIZE | CAGE CODE | DRAWING NO | RESTRICTED TO |
| A3 | 00779 | C-1761614 | - |
| SCALE - | | SHEET 5 OF 5 | REV A5 |